

Type 15 W

Tubular drives for doors



Tubular drives Type 15 W

A benefit of these tubular drives is the possibility to use changeable couplings (adapters) for tubes of $\text{Ø } 98 \times 2.0$ to 168×4.0 mm or SW 114 (octagonal). The gearbox with its large dimensions ensures a long service life. Optimum gearing guarantees that the drives are pleasantly quiet when in operation.

The fixing plates of the Type 15 W... drives must be installed at right angles to the fixing area. It is imperative to use the wall bracket pocket item no. 23 100.0001 in case of unevenness.

Item Number	Type/Item Description
32 301.0001	15/12 W
32 281.0001	15/15 W
32 321.0001	15/18 W
32 361.0001	15/23 W
32 381.0001	15/30 W
23 100.0001	Wall bracket pocket for Type 15 W

Accessories included:

Connecting cable 3.0 m long.

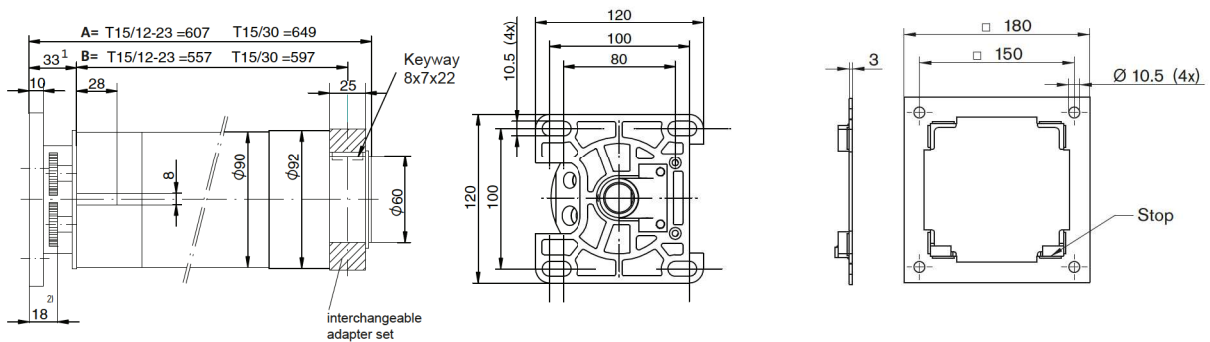
Exclusive of: drive adapter, wall bracket and switches.



Technical data and dimensions

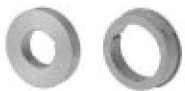
Type	Type 15/12 W	Type 15/15 W	Type 15/18 W	Type 15/23 W	Type 15/30 W
Operating Voltage (V)	1 ~ 230				
Rated frequency (Hz)	50				
Max. torque (Nm)	120	150	180	230	300
Speed (rpm)	12				
Current (A)	3.4	3.5	3.7	3.9	5.4
Power (W)	700	740	780	810	1,250
Shaft Ø (mm)	98				
Ingress protection (IP)	44				
Max. limit switch range in Revolutions of the shaft	36				
Operating mode (KB in min.)	6			5	
Door cycles per hour $f_{II} h^{-1} *$	6				
Length A (mm)	607				649
Length B (mm)	594				636
Weight (kg)	11.6	13	11.8		13
Temperature range (°C)	-20 to +60				
Conformity	CE				

* One door cycle is: 5 revolutions OPEN – 30 sec. pause – CLOSE.

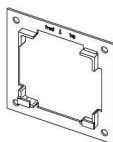


- 1) Lateral space requirements
- 2) Lateral space requirements in case of overwinding of the limit switch

Accessories:



Drive adapter sets
Page 232



Wall bracket pocket
Page 202



Door controls
from page 220

Type 15 W NMA

Tubular drives for doors with NMA



Tubular motors Type 15 W NMA

Tubular drives from elero are maintenance-free and have a long life, making them especially suitable for the mentioned applications.

In the event of a power failure the drive line Type 15 W NMA ensures operability. With the drives the manual gearbox engages automatically upon turning the crank handle. Thus in an emergency the door may also be opened from outside using a key box. Moreover, the door can also be opened from inside very comfortably at operating height with a simple crank handle or using an additional bevel gear.

Of course, the Type 15 series can be easily combined with the necessary safety technology, such as safety brake and lower rail disconnect, via a motor control unit with radio control.

The fixing plates of the Type 15 W... drives must be installed at right angles to the fixing area. It is imperative to use the wall bracket pocket item no. 23 100.0001 in case of unevenness.

Item Number	Type/Item Description
32 312.0001	Type 15/12 W NMA
32 292.0001	Type 15/15 W NMA
32 332.0001	Type 15/18 W NMA
32 362.0001	Type 15/23 W NMA
32 382.0001	Type 15/30 W NMA
23 100.0001	Wall bracket pocket for Type 15 W NMA

Accessories included:

Connecting cable 3.0 m long.

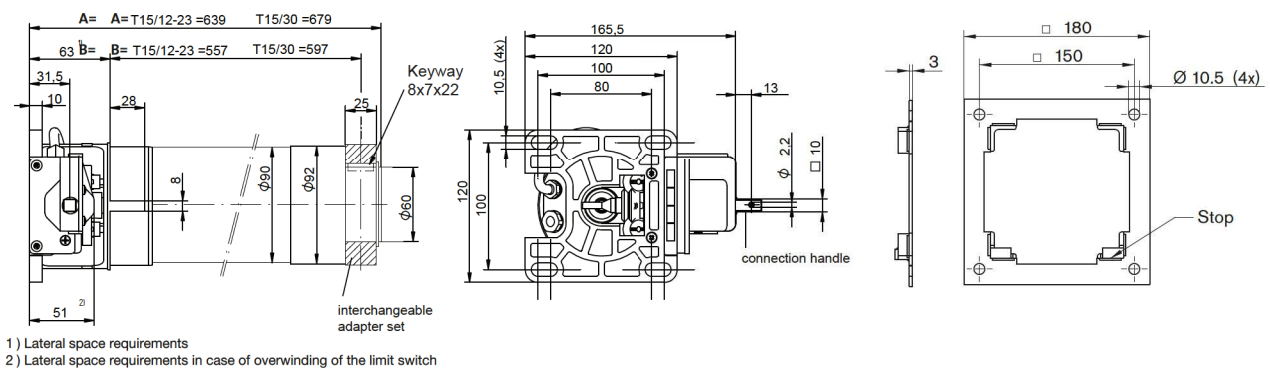
Exclusive of: drive adapter, wall bracket and switches.



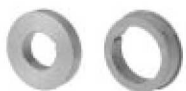
Technical data and dimensions

Type	Type 15/12 W NMA	Type 15/15 W NMA	Type 15/18 W NMA	Type 15/23 W NMA	Type 15/30 W NMA
Rated Voltage (V)	1 ~ 230				
Rated frequency (Hz)	50				
Max. torque (Nm)	120	150	180	230	300
Speed (rpm)	12				
Rated current (A)	3.4	3.5	3.7	3.9	5.4
Rated power (W)	700	740	780	810	1,250
Shaft (mm)	90				
Ingress protection (IP)	44				
Max. limit switch range in Revolutions of the shaft	36				
Operating mode (KB in min.)	6			5	
Door cycles per hour $f_{II} h^{-1} *$	6				
Length A (mm)	639				679
Length B (mm)	626				666
Weight (kg)	13.4	11.83	11.2		13.8
Temperature range (°C)	-20 to +60				
Conformity	CE				

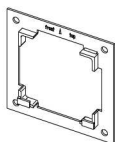
* One door cycle is: 5 revolutions OPEN – 30 sec. pause – CLOSE.



Accessories:



Drive adapter sets
Page 232



Wall bracket pocket
Page 204



Crank handles
Page 241



Door controls
from page 220