

Sensero-868 AC/Sensero-868 AC Plus

The innovative radio weather sensors



Sensero-868 AC Plus, Sensero-868 AC

Sun, twilight, wind and rain – precise measurement and transmission

The weather sensor has light, twilight and wind functions. What is new is that the wind is measured using an airflow sensor on the underside of the device. Thus, sidewinds and updrafts can also be detected. Thanks to its tiltable wallbracket, the Sensero-868 AC can be mounted on a façade or on a roof. Furthermore, it can be mounted on top of a mast. In addition, the Sensero-868 AC Plus has an integrated rain sensor that sends a signal to the radio receiver in order to retract the awning if it starts to rain. The Sensero-868 AC requires only a 230V/50Hz power supply. Control signals are transmitted via

radio (868MHz) to a radio drive or an external receiver. The sun protection system can also be operated using a hand-held transmitter.

Note:

The device will only work in connection with compatible radio receivers from the range of the elero radio system. Manual operation of the system is carried out with a hand-held/wall transmitter. This item is not included in the scope of delivery.

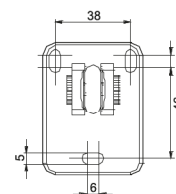
Item Number	Type/Item Description
28 890.0006	Sensero-868 AC (uni- and bidirectional)
28 900.0006	Sensero-868 AC Plus (uni- and bidirectional)
24 269.0202	Pole and corner adapter (Ø 60 – 80 mm)

Accessories included:

Mounting material

Wall bracket:

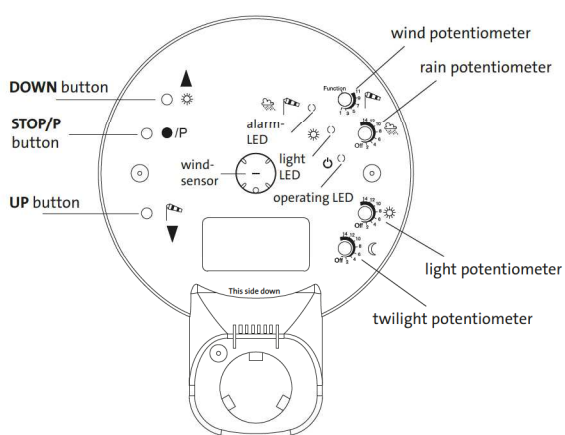
The device can be fastened to the upper side of the roof or to the façade using the tilting wall bracket.



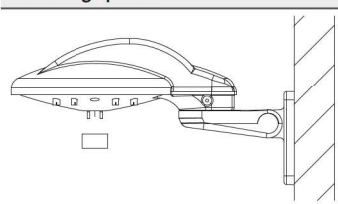
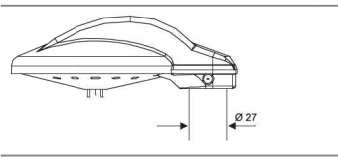
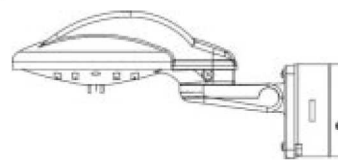


Technical data and dimensions

Type	Sensero-868 AC	Sensero-868 AC Plus
Operating Voltage (V)	1 ~ 230	
Frequency (Hz)	50 – 60	
Ingress protection (IP)	44	
Temperature range (°C)	-20 to +60	
Radio frequency (MHz)	868	
Detection angle (°) (Light/twilight sensor)	150	
Dimensions (mm)	L 205 x W 125 x H 105	
Weight (g)	600	610
There are different regulations for the USA, Canada, Australia and some countries in South America:		
Radio frequency (MHz)	915	



Mounting options

	<p>Wall bracket The device can be fastened to the upper side of the roof or to the façade using the tilting wall bracket.</p>
	<p>Pole support As an alternative, mount the device to a pole of 27 mm diameter.</p>
	<p>Pole or corner support Use the corner or pole support to attach the device to the corner of the façade or to the pole.</p>

Accessories:



Pole and corner adapter
Page 128

Aero-868 Plus/Aero-868/Ventero-868

Solar powered light and wind sensor for awnings and Venetian blinds



Aero-868 Plus, Aero-868/Ventero-868

Aero-868/Aero-868 Plus: Light and wind sensor

The Aero-868 is a wireless light/wind control unit for awnings. The Aero-868 Plus is a wireless light/wind control unit for Venetian blinds, blinds and awnings. Integrated solar cells provide the power to run the unit. Radio signals are transmitted between the Aero-868 and the receiver. The Aero-868 Plus is fitted with an additional battery and an additional solar cell for longer performance. Awnings can be used when it is dark in order to protect against prying eyes.

Important!

The Aero-868/Aero-868 Plus/Ventero-868 only operates in connection with elero ProLine 2 and Proline radio receivers.

Ventero-868: Wind sensor

The Ventero-868 is a wireless-operated wind control device for your awnings.

Note: The Ventero-868 only operates in combination with radio receivers from the elero ProLine-868 radio system. Integrated solar cells enable autonomous function of the device. Radio signals (frequency 868 MHz) are transmitted between the Ventero-868 and the motor. The awning can be operated manually via a manual/wall transmitter. This item is not included in the scope of delivery.

Aero-868 and Ventero-868 are not suitable for applications which require view protection during night time due to the limited power reserves (Safety feature will drive the application in up position when power reserves are empty until power reserves are charged again).

Item Number	Type/Item Description
28 480.0006	Aero-868 Plus (uni- and bidirectional)
28 440.0006	Aero-868 (uni- and bidirectional)
28 190.0006	Ventero-868 (uni- and bidirectional)
24 269.0202	Pole and corner adapter (60 – 80 mm)

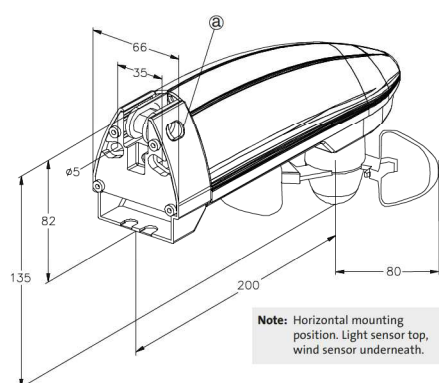
Accessories included:

Mounting material

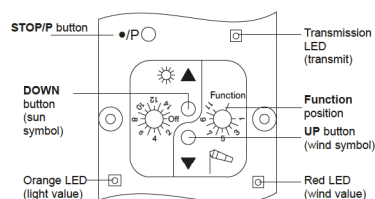


Technical data and dimensions

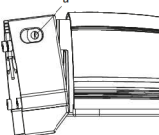
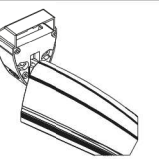

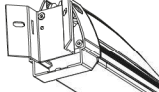
Type	Aero-868 Plus	Aero-868	Ventero-868
Power supply		Solar	
Ingress protection (IP)		43	
Temperature range (°C)		-20 to +60	
Radio frequency (MHz)		868	
Detection angle (°) (Light/wind sensor)		150	
Standby (h)	~24		~12
Dimensions (mm)	L 280 x W 130 x H 130		
Weight (g)	380		360
There are different regulations for the USA, Canada, Australia and some countries in South America:			
Radio frequency (MHz)		915	



Aero-868



Mounting options

	The Aero-868/915/ Aero-868/915 Plus can be fastened to the upper side of the roof or to the façade using the hinged wall bracket. The wall bracket can be swivelled between -5° and 180°. Secure the required position once it has been set (see screw a).
	Wall bracket hinged at 90°
	Wall bracket hinged at 180°
	Pole and corner mounting Optional accessory (Item no. 24 269.0201)

Accessories:



Pole and corner adapter
Page 130